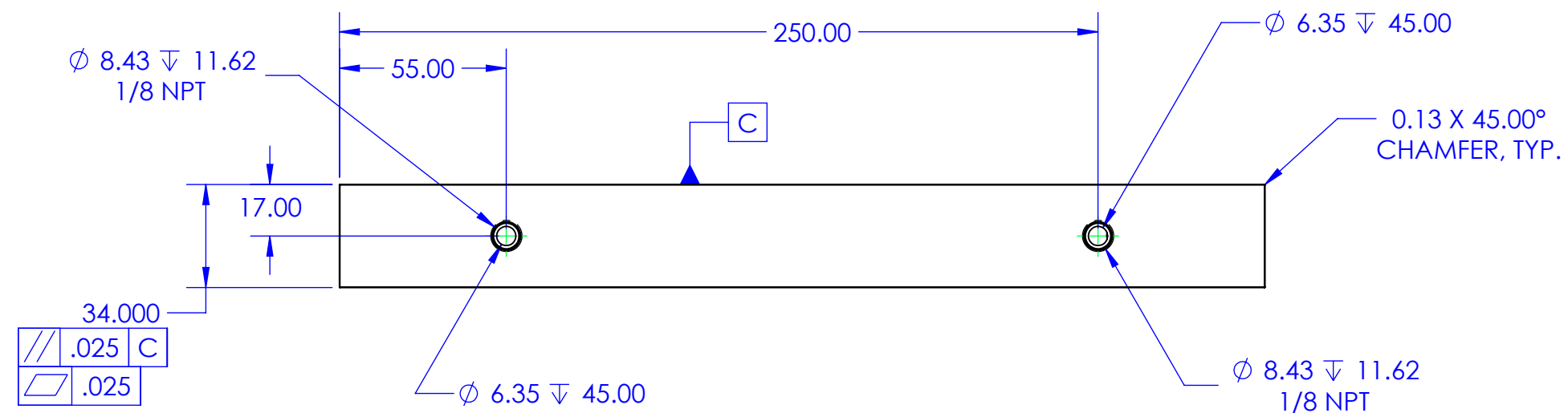
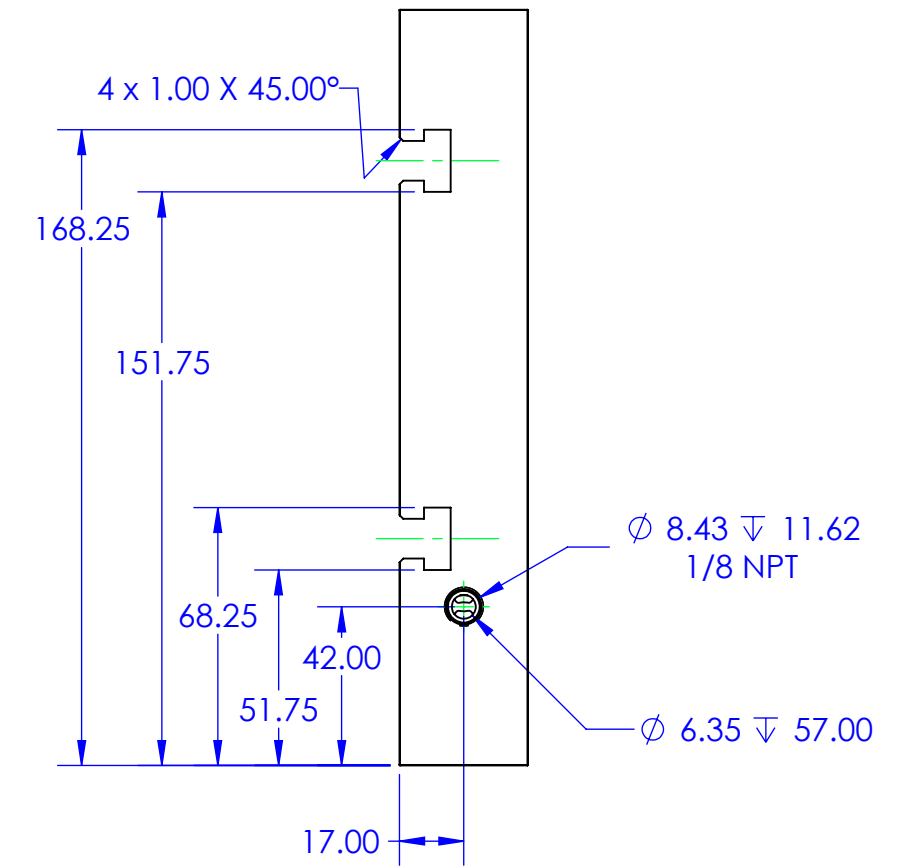
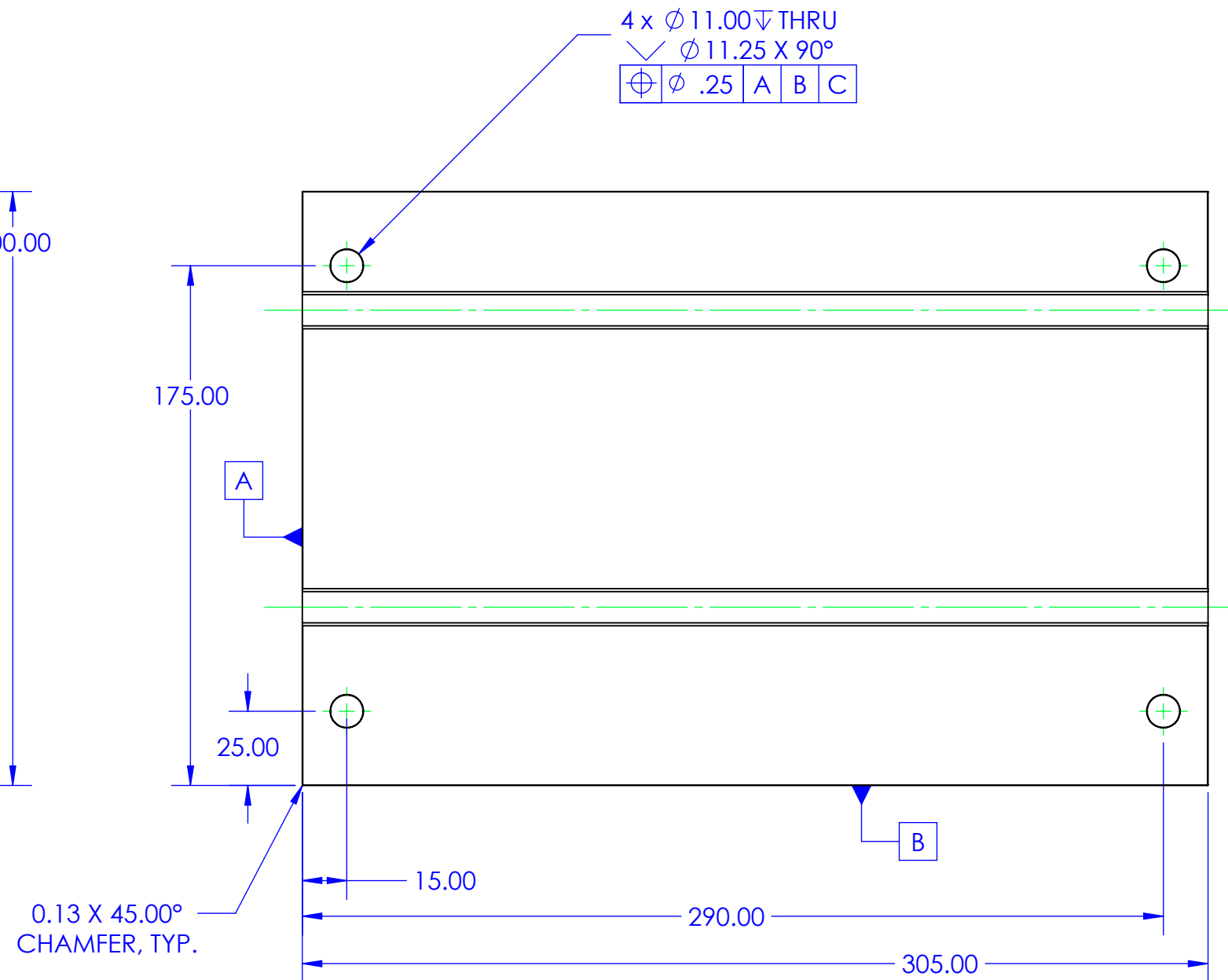
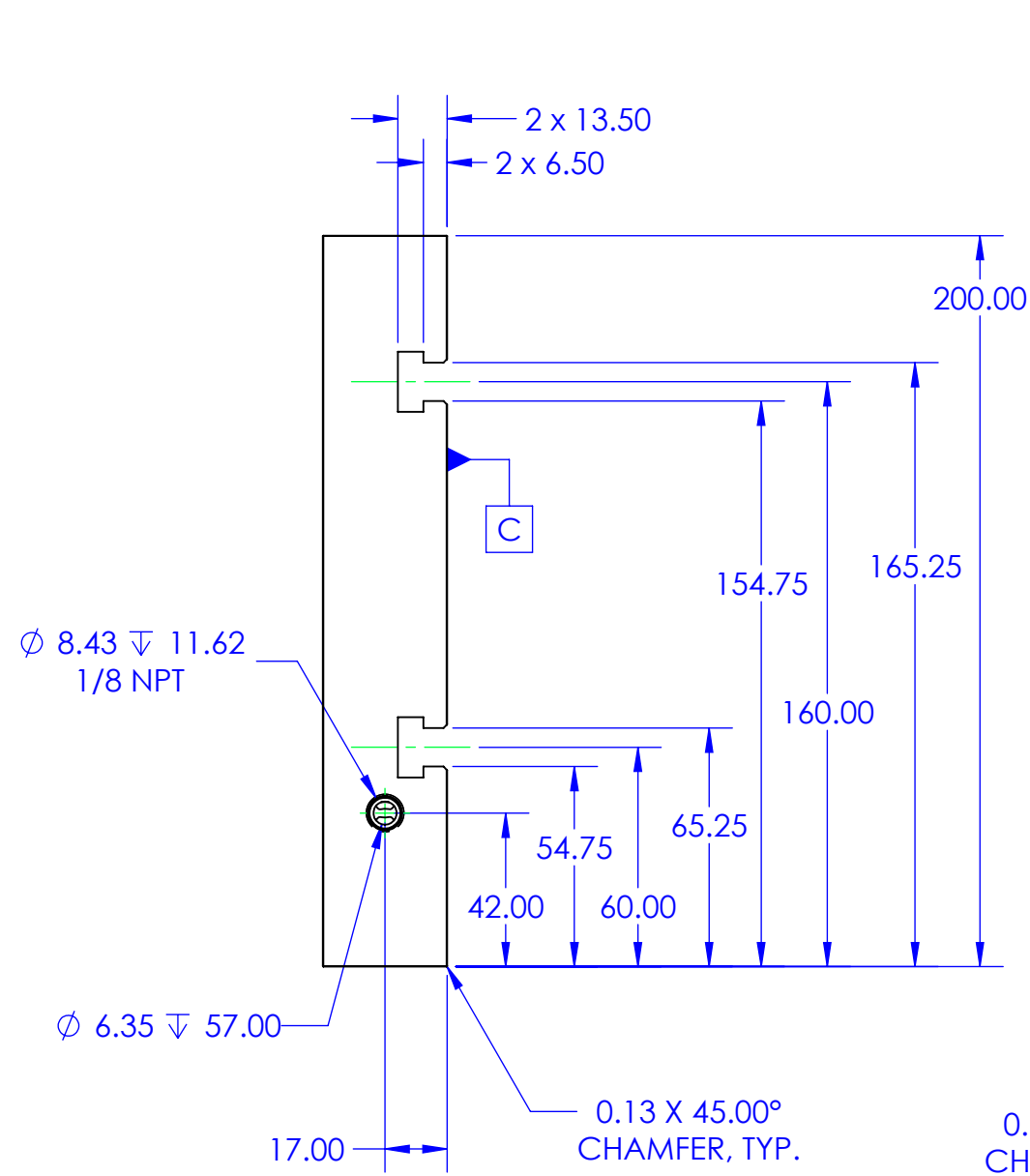
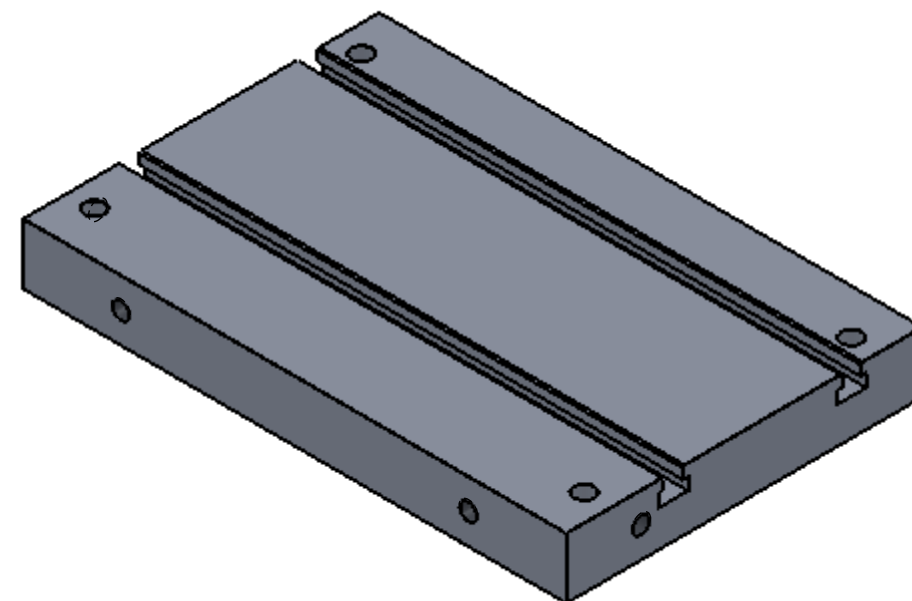


| REV | DESCRIPTION OF CHANGES | DATE | APPROVED |
|-----|------------------------|------------|----------|
| 02 | DESIGN REVISION | 05/14/2015 | CEB |



- NOTES (UNLESS OTHERWISE SPECIFIED):
- 1 - MAT'L: 6061-T6 OR 7075-T6 ALUM
 - 2 - FOR USE ON 6000/6200 WITH 56mm MOLD SETS
 - 3 - BREAK ALL EXTERNAL EDGES 0.13MM X 45.0°



Proprietary Notice: This drawing and the information contained herein is the property of Moldman Systems and may not be reproduced or used for other purposes than authorized by Moldman Systems.

| | | | | |
|--|----------------|--|--|--------------------|
| UNLESS OTHERWISE SPECIFIED DIMENSIONS ARE IN MM. TOLERANCES ARE: | | CAD GENERATED DRAWING : DO NOT MANUALLY UPDATE | MOLDMAN SYSTEMS | |
| DECIMALS: | ANGLES: | | 4649 Aircenter Dr. Ste 101, Reno, NV 89521 (775) 332-1600 fax: (775) 332-1601 | |
| .X : +/- 0.7 | X : +/- 0.5° | DO NOT SCALE DRAWING | TITLE | |
| .XX : +/- 0.25 | X.X : +/- 0.1° | | 6X00 Lower Adapter Plate - 56mm Base REV02 | |
| .XXX : +/- 0.127 | | | PART NUMBER | |
| MATERIAL: | SEE NOTES | APPROVALS | DATE | |
| FINISH: | SEE NOTES | CREATED | CED 4/10/2015 | SIZE |
| | | CHECKED | | DRAWING SCALE: n/a |
| | | | | SHEET 1 OF 1 |
| | | | | REV. 02 |